



**SILENT**  
We're The Vibrator Guys.™

## Heavy Duty Electric Vibrators

**Models: 2PCD-200, -650, -1050**

- Easy metric cross-over foot print
- Available in single or three phase units
- Adjustable eccentrics for easy change of force
- Oversized bearings for long life



**2PCD-650**

**VIBCO's** Model 2PCD is designed to cross-over metric and European style vibrators with foot print dimensions that match most models. Comparable force outputs allow the 2PCD series to be installed directly to your existing mount.

The 2PCD models are totally enclosed, rated for continuous duty and completely noiseless. Motors are all made in the U.S.A. and meet American NEMA and ASTM standards. They can be used inside or outside, in dust, dirt, rain or snow.



**2PCD-200**

- Oversized bearings ensure long life.
- Windings are high heat resistant to take additional overload and heat.
- Terminal box located on top of unit for easy connection & change of voltage.

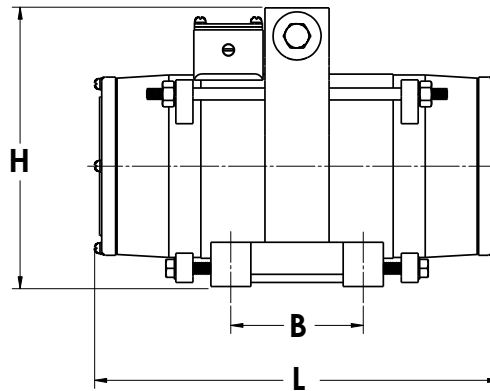
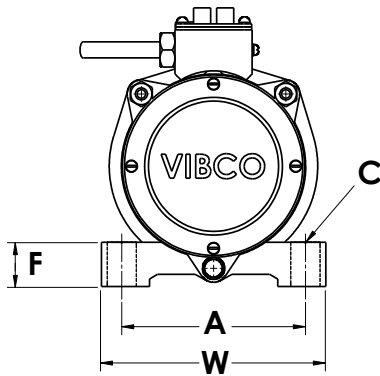
**800.633.0032 • www.VIBCO.com**

**VIBCO HEAVY DUTY ELECTRIC VIBRATORS**

# DIMENSIONS

Model	A		B		C*		L		W		H		F	
	Inch	mm	Inch	mm	Inch	mm	Inch	mm	Inch	mm	Inch	mm	Inch	mm
2PCD-200	4.17	106	2.44 - 2.91	62 - 74	5/16	8	7-15/16	202	5	127	5-1/2	140	5/8	16
2PCD-650	4.92 - 5.51	125 - 140	3.54	90	1/2	13	11-5/8	295	6-1/4	159	7	178	1-1/8	29
2PCD-1050	5.51	140	4.13	105	1/2	13	12-5/8	321	7	178	8-3/4	222	1-3/8	35

\*Bolt Size



# TECHNICAL DATA

Model	PHASE	Amperes at Volt			H.P.	Force (Impact) lbs./N Settings						**dB	Weight			
		1 PHASE		3 PHASES		MIN		MAX					1 Phase		3 Phase	
		115/230	230/460	575		lbs.	N	lbs.	N	lbs.	N		lbs.	kg.	lbs.	kg.
2PCD-200	1&3	0.9/0.5	0.5/0.25	-	1/5	172	705	225	1000	315	1400	60	14	6.5	11	5
2PCD-650	1&3	3.6/1.8	1.0/0.5	0.45	1/3	50	225	410	1825	705	3135	62	44	20	39	18
2PCD-1050	1&3	5.0/2.5	1.5/0.6	0.5	1/2	50	225	640	2850	1090	4850	64	63	29	55	25

\*\*Decibels at 3 feet (1 meter)

**CONTACT  
VIBCO  
ABOUT A 10-DAY  
FREE TRIAL**

Available for any **VIBCO** standard unit. With the help of our Application Engineers, we will get you the vibrator that will work best for you. Try it for 10-days at **NO RISK.**

Also available from **VIBCO**

**REQUEST  
A CATALOG  
TODAY!**



**Model 2P** Heavy Duty Electric Vibrator

- 3600 RPM for optimum versatility
- 50-5600 lbs. of centrifugal force output

**Model 4P** Heavy Duty Electric Vibrator

- 1800 RPM
- 100-15,000 lbs. of centrifugal force output

**Model 6P & 8P** Heavy Duty Electric Vibrator

- 900 & 1200 RPM
- Provides low frequency & very high amplitude



We're The Vibrator Guys.™

## FACTORY & HQ

75 Stilson Rd., P.O. Box 8  
Wyoming, RI 02898  
E-Mail: [vibrators@VIBCO.com](mailto:vibrators@VIBCO.com)  
Phone: (401) 539-2392  
800-633-0032  
FAX: (401) 539-2584  
[www.vibco.com](http://www.vibco.com)

## CANADA:

2215 Dunwin Drive  
Mississauga, Ont.L5L 1X1  
Phone: (905) 828-4191  
(800) 465-9709  
FAX: (905) 828-5015